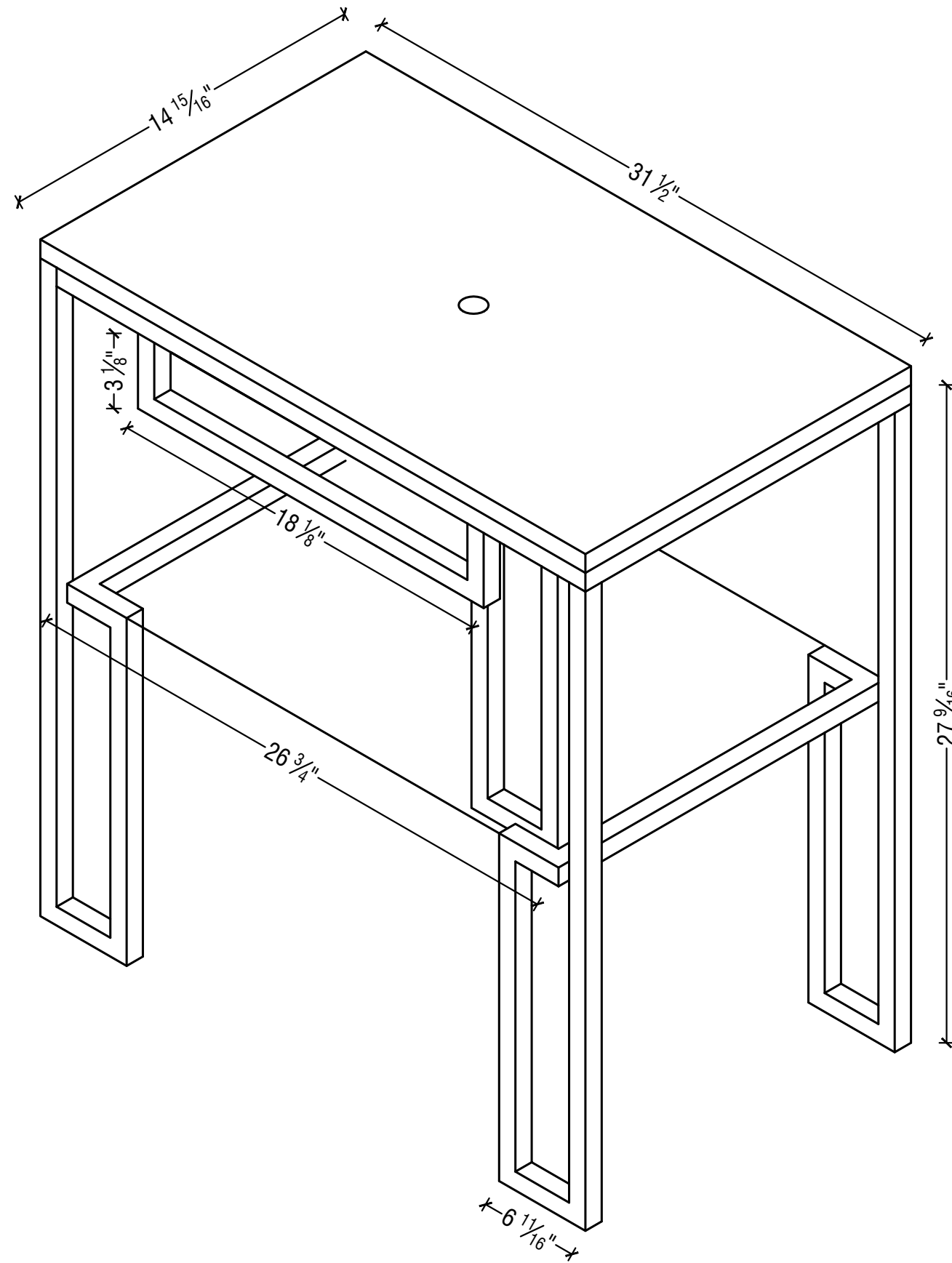


# HUGO SINGLE VANITY SPECS



## SUMMARY:

Width	: $31 \frac{1}{2}$ "
Depth	: $14 \frac{15}{16}$ "
Height	: $28 \frac{3}{8}$ " (With Stone Surface)
Height	: $27 \frac{15}{16}$ " (With Glass Surface)
Stone surface	$\frac{13}{16}$ "
Glass surface	$\frac{3}{8}$ "

